

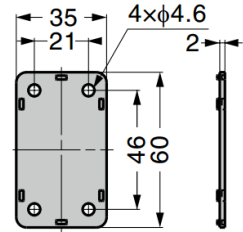
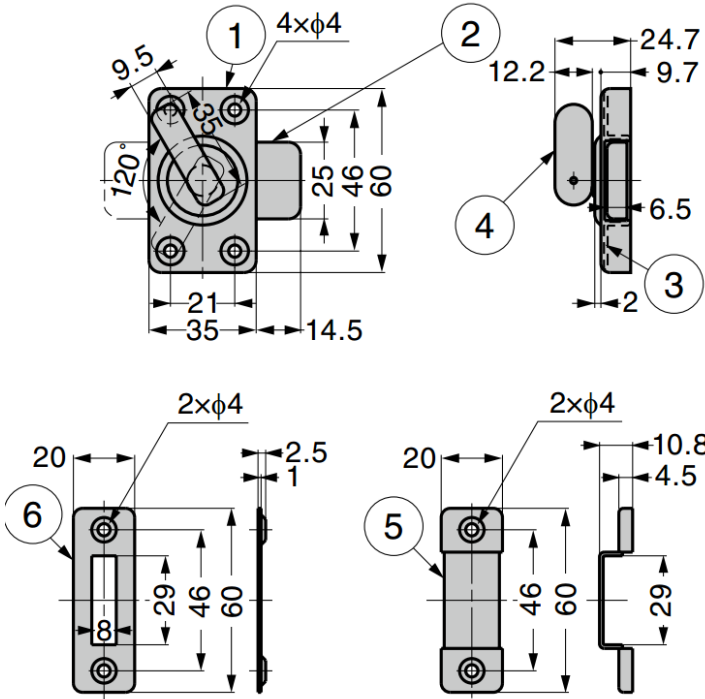
## GHR35 Lever Bolt

### Features

- Turn the latch knob to open/close
- Easy installation, flat and compact design for various application
- Two different counter plates included for different mountings

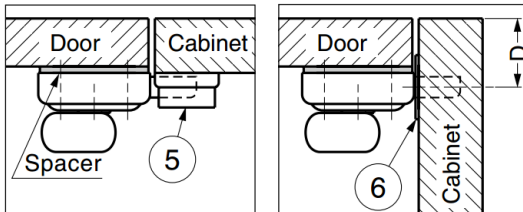
### Notes

- Countersunk wood screws 3.5×20 (SUS) included
- Spacer **GHR35SP-B** sold separately



Spacer (Sold separately)

### Spacer Application Example



Use when there is a level difference on the mounting surface of the main body and the counter plate (left figure) or increase of dimension D is required (right figure). (Overlap spacer as necessary).

No.	Part Name	Material	Finish
①	Body	Stainless Steel (SUS304)	Satin
②	Slide Plate		Plain
③	Back Plate		Satin
④	Lever Knob		
⑤	Counter Plate A		
⑥	Counter Plate B		

### Body

Part No.
GHR35

### Spacer (Sold Separately)

Part No.	Material	Colour
GHR35SP-B	PA	Black